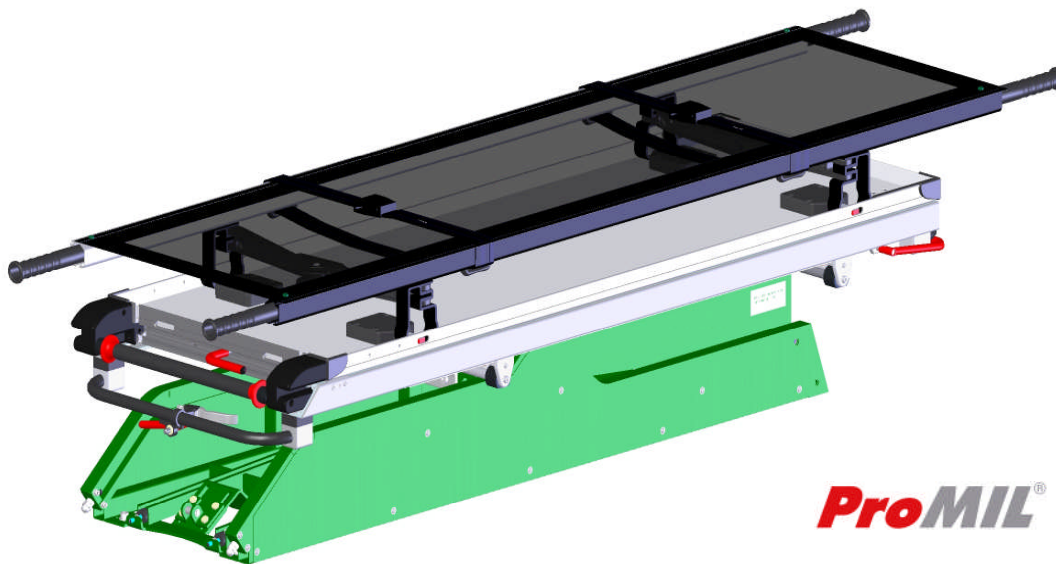


## ProMIL-214 TREATMENT BASE



### Technical specifications

<b>Product number</b>	ProMIL-214
<b>Product name</b>	ProMIL-214-10 Treatment Base
<b>Product description</b>	<p>The ProMIL-214 is a treatment base developed specifically for high military ambulances. Low stretcher loading height is reached through the long stretcher platform extension, which makes loading of the patient easy to high vehicles.</p> <p>The base has three sideways sliding positions. The loading of the treatment base (in angled and extended position) is possible in all three sideways sliding positions that enables loading through various rear door locations in military vehicles.</p> <p>The ProMIL-214 treatment base has long forward sliding positions and a shock position capability that enable thorough patient treatment. Forward sliding points are +100mm, +200mm, +300mm and +400mm from the regular transport position.</p> <p>Cushioned un-loading and lightened loading functions make loading of the patient an easy and fast process. The stretcher platform is equipped with stretcher lockings that fasten the stretcher automatically when loaded.</p>

<b>Material</b>	Base material: painted steel, stretcher platform: aluminium/stainless steel
<b>Weight</b>	120 kg
<b>Environment requirements</b>	-45°C...+80°C
<b>Compatibility for stretchers</b>	Stretchers according to STANAG2040 * <ul style="list-style-type: none"><li>- NATO field stretchers</li><li>- ISO norm</li><li>- Civilian ambulance stretchers</li><li>- LSTAT G5 compatibility with locking parts 211-300 (locking parts 211-300 are available from Frestems as an accessory)</li></ul>
<b>Other features</b>	<ul style="list-style-type: none"><li>- Ideal loading height for high military ambulances</li><li>- Sideways sliding 125+125mm</li><li>- Shock position 8 degrees</li><li>- Adjustment of the loading angle (8...16 degrees)</li><li>- Automatic NATO-locking, locking release handle in the front</li><li>- Forwards sliding</li></ul>

\*) max. width: 574 mm

Measurements

